

Tube Ended Pressure Gauges



Problems Installing Pressure Gauges? Align with Parker

No leaks. No damage. No sweat.

Parker Tube Ended Pressure Gauges really take the pressure off when mating to a piping or tubing system with an NPT connection. The compact design speeds installation, eliminating “work-arounds,” as well as over- or under-tightened connections.



Contact Information:

Parker Hannifin Corporation
Instrumentation Products Division
1005 A Cleaner Way
Huntsville, AL 35805 USA

phone 256 881 2040
fax 256 881 5072

www.parker.com/ipdus

For Industrial and Process Applications

- Eliminates gauge positioning problems in systems with an NPT connection, including “workarounds”, damage due to over-tightening, and leaks from under-made connections.
- Reduces connections for fewer potential leak paths and faster installation.
- Allows for easy 360° gauge positioning and reduces installation costs.
- Compact design saves space.
- Eliminates pipe tape and other sealants/contaminants.
- Internal Snubber / Restrictor Standard



ENGINEERING YOUR SUCCESS.

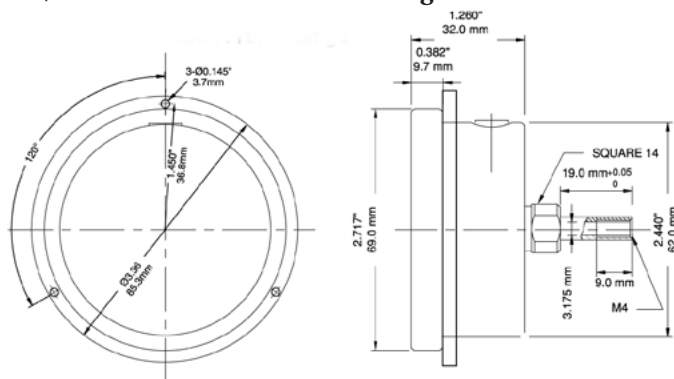
Parker Tube Ended Pressure Gauges

Parker Tube Ended Pressure Gauges monitor vacuum, compound, and positive system pressures up to 1000 psig. Available in lower mount and center back mount configurations, these 360°-positionable gauges are perfect for applications where space is at a premium.

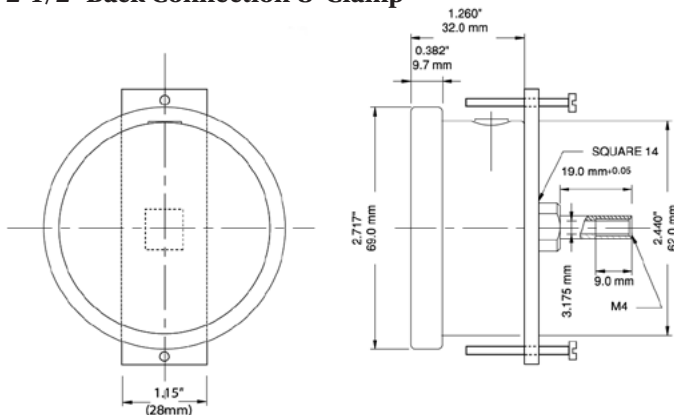
Not only do our Tube Ended Gauges do away with additional fittings, they completely eliminate the need for tape and sealants, making installation cleaner and quicker.



2-1/2" Back Connection Front Flange



2-1/2" Back Connection U-Clamp



Specifications

Item	Material
Dial	2-1/2" (63 mm) Aluminum
Case	304 Stainless Steel
Lens	Polycarbonate
Ring	304 Stainless Steel
Pointer	Aluminum (black anodized)
Block	316 Stainless Steel
Socket	316 Stainless Steel
Connection	1/4" A-Lok® Tube Stub
Bourdon Tube	316 Stainless Steel
Movement	304 Stainless Steel
Gasket Material	Neoprene
Fill Fluid	Glycerin
Protection	IP65
Over Pressure Limit	115% Full Scale
Working Pressure	75% Full Scale
Temperature Rating	14°F to 150°F (-10°C to 65°C)
Accuracy	1.5% Full Scale

Gauges

Pressure Range	Part Number	
	Lower Mount	Back Mount
30" Hg vacuum/kpa	PG2-L-4-VAC	PG2-B-4-VAC
30" Hg vacuum/kpa to 30 psi	PG2-L-4-30VAC	PG2-B-4-30VAC
0-30 psi/kpa	PG2-L-4-30	PG2-B-4-30
0-60 psi/kpa	PG2-L-4-60	PG2-B-4-60
0-100 psi/kpa	PG2-L-4-100	PG2-B-4-100
0-160 psi/kpa	PG2-L-4-160	PG2-B-4-160
0-300 psi/kpa	PG2-L-4-300	PG2-B-4-300
0-1000 psi/kpa	PG2-L-4-1000	PG2-B-4-1000

Mounting Kits

Kit	Part Number
U-Clamp Kit	KIT-PG2-U
Front Flange Kit	KIT-PG2-F

Note: U-Clamp Kit includes bracket and required bolts.

Questions on Tube Ended Pressure Gauges? Contact your authorized Parker Instrumentation distributor, or the Parker Instrumentation Division at 256-881-2040.

